

## **The LED Store Tennis Court Sample Area - 400 Lux PPA (0.7 Uniformity)**

CAUTION: The performed design & lux level calculation has been carried out using the specified luminaires & layouts - any deviations to product and/or layout will result in variations in the lux levels and overall lighting scheme and could affect compliance.

Date: 22.11.2020  
Operator: The LED Store

Operator The LED Store  
Telephone 03333 444 943  
Fax 03333 444 943  
e-Mail [sales@theledstore.co](mailto:sales@theledstore.co)

## Table of contents

<b>The LED Store Tennis Court Sample Area - 400 Lux PPA (0.7 Uniformity)</b>	
Project Cover	1
Table of contents	2
<b>The LED Store LSTSAL-300 300W LED FLOOD SPORTS AREA LIGHT / EXTERIO...</b>	
Luminaire Data Sheet	3
<b>Tennis Court</b>	
Planning data	4
Luminaire parts list	5
3D Rendering	6
False Colour Rendering	7
<b>Exterior Surfaces</b>	
<b>Calculation Grid (PPA)</b>	
Value Chart (E, Perpendicular)	8

Operator The LED Store  
Telephone 03333 444 943  
Fax 03333 444 943  
e-Mail [sales@theledstore.co](mailto:sales@theledstore.co)

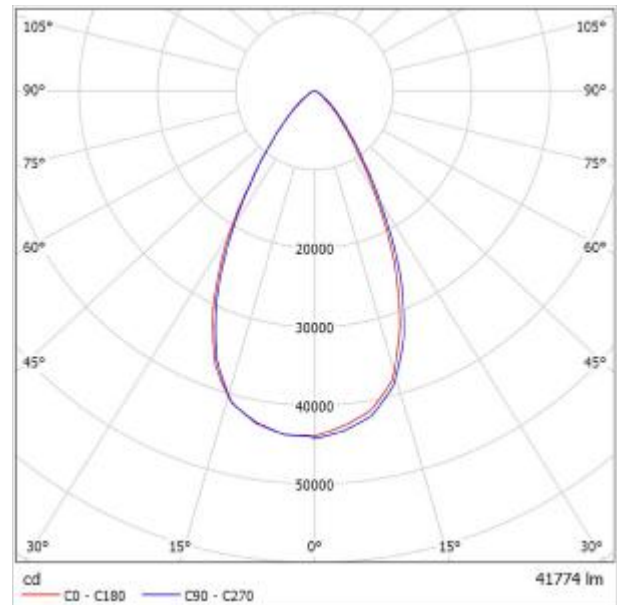
## The LED Store LSTSAL-300 300W LED FLOOD SPORTS AREA LIGHT / EXTERIOR CAR PARK FLOOD LIGHTING 60 Degree Beam Angle / Luminaire Data Sheet

See our luminaire catalog for an image of the luminaire.



Luminaire classification according to CIE: 100  
CIE flux code: 86 97 99 100 100

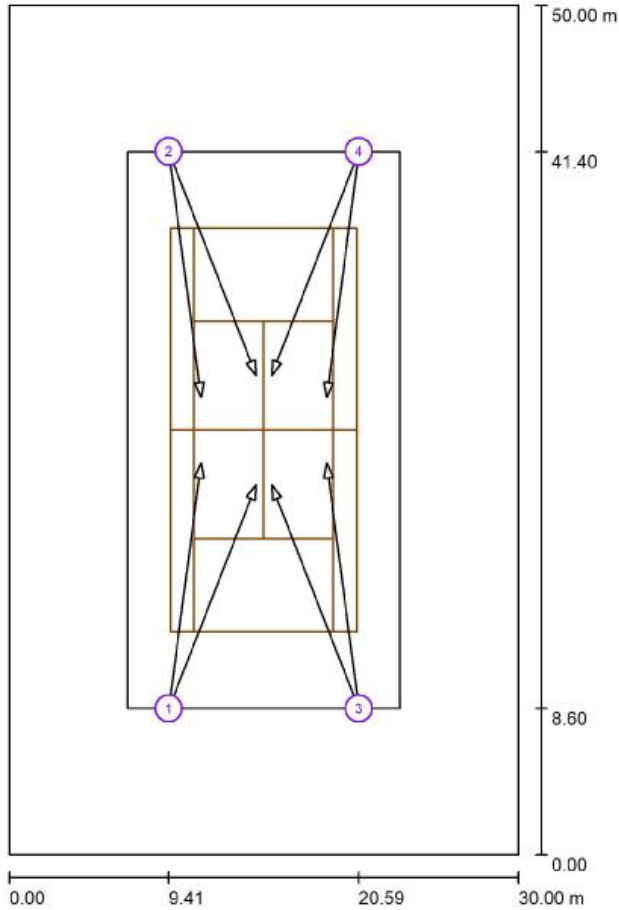
Luminous emittance 1:



Due to missing symmetry properties, no UGR table can be displayed for this luminaire.

Operator The LED Store  
 Telephone 03333 444 943  
 Fax 03333 444 943  
 e-Mail [sales@theledstore.co](mailto:sales@theledstore.co)

### Tennis Court / Planning data



Maintenance factor: 0.80, Mounting Height: 8.000m, ULR (Upward Light Ratio): 9.5%

Scale 1:464

#### Luminaire Parts List

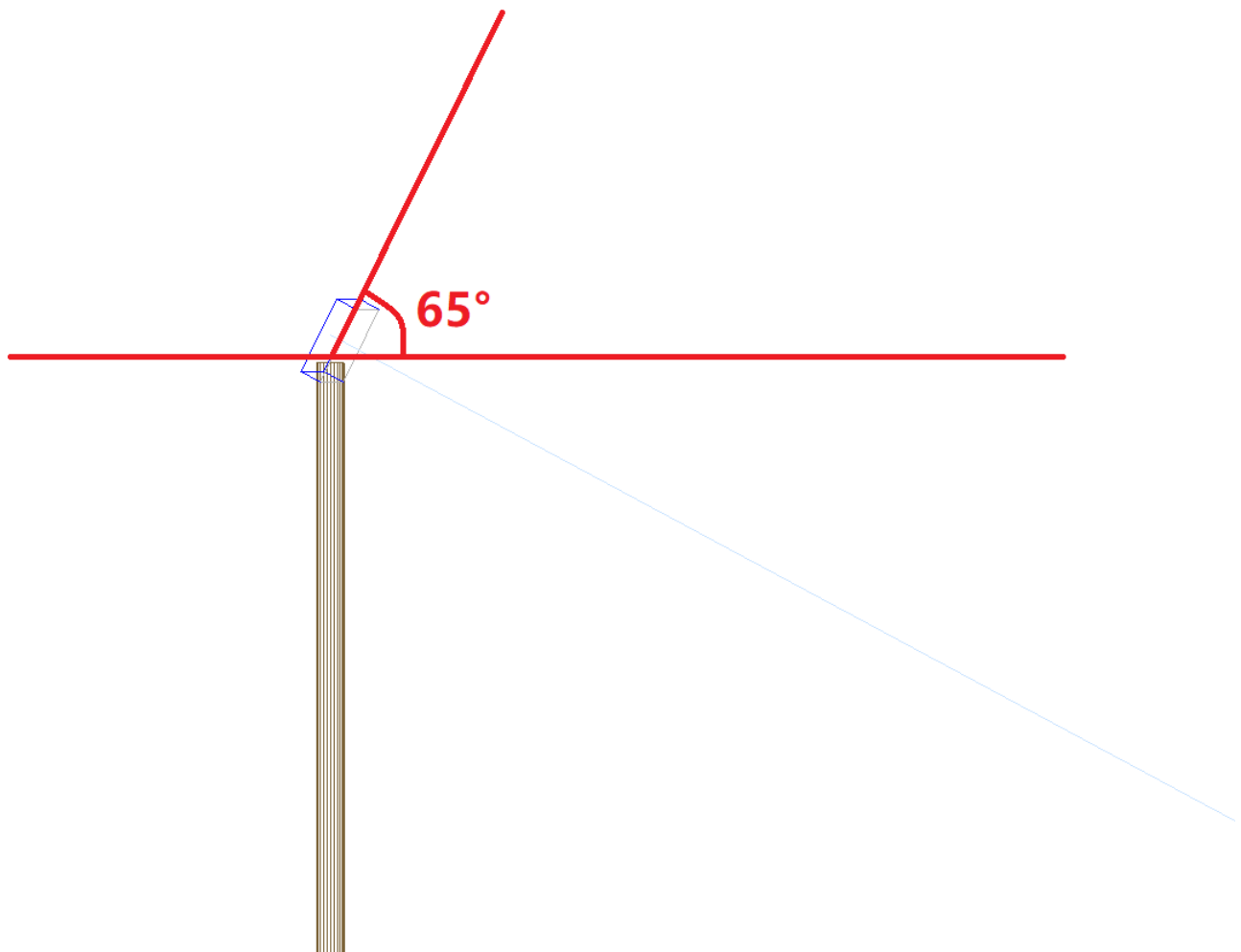
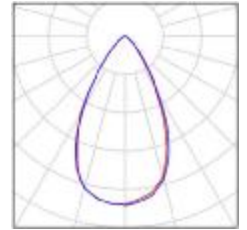
No.	Pieces	Designation (Correction Factor)	Φ (Luminaire) [lm]	Φ (Lamps) [lm]	P [W]
1	8	The LED Store LSTSAL-300 300W LED FLOOD SPORTS AREA LIGHT / EXTERIOR CAR PARK FLOOD LIGHTING 60 Degree Beam Angle (1.000)	41774	41774	300.3
Total:			334194	Total: 334194	2402.4

Operator The LED Store  
Telephone 03333 444 943  
Fax 03333 444 943  
e-Mail [sales@theledstore.co](mailto:sales@theledstore.co)

## Tennis Court / Luminaire parts list

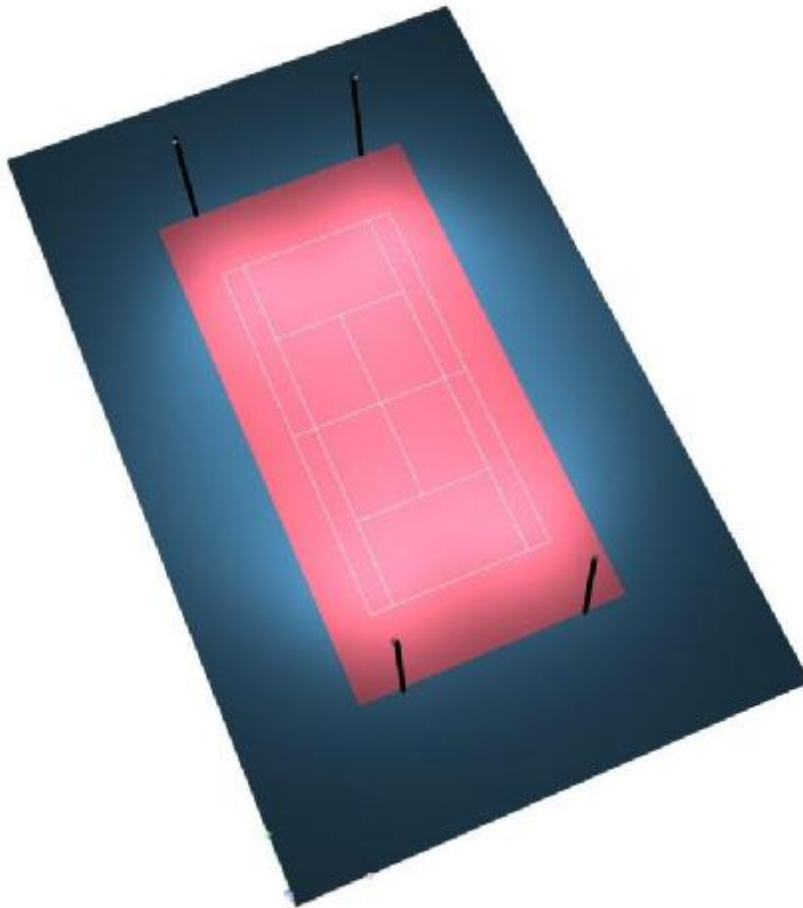
8 Pieces The LED Store LSTSAL-300 300W LED FLOOD SPORTS AREA LIGHT / EXTERIOR CAR PARK FLOOD LIGHTING 60 Degree Beam Angle  
Article No.: LSTSAL-300  
Luminous flux (Luminaire): 41774 lm  
Luminous flux (Lamps): 41774 lm  
Luminaire Wattage: 300.3 W  
Luminaire classification according to CIE: 100  
CIE flux code: 86 97 99 100 100  
Fitting: 1 x LSTSAL-300 (Correction Factor 1.000).

See our luminaire catalog for an image of the luminaire.



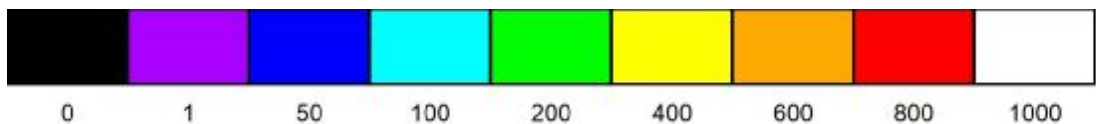
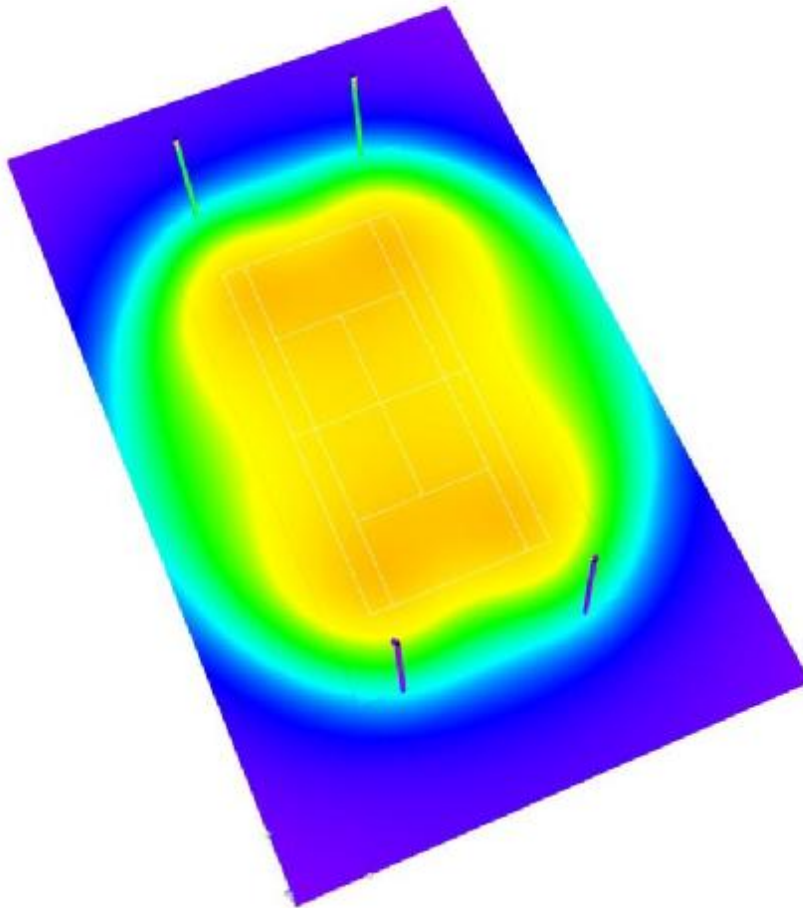
Operator The LED Store  
Telephone 03333 444 943  
Fax 03333 444 943  
e-Mail [sales@theledstore.co](mailto:sales@theledstore.co)

## Tennis Court / 3D Rendering



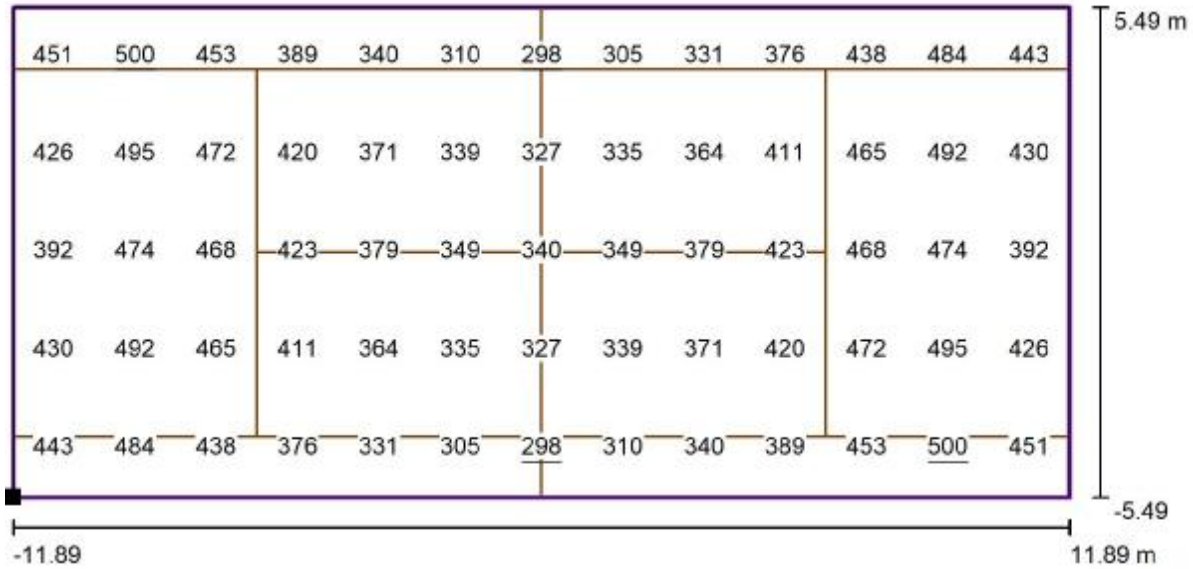
Operator The LED Store  
Telephone 03333 444 943  
Fax 03333 444 943  
e-Mail [sales@theledstore.co](mailto:sales@theledstore.co)

### Tennis Court / False Colour Rendering



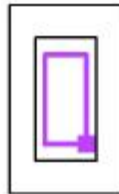
Operator The LED Store  
 Telephone 03333 444 943  
 Fax 03333 444 943  
 e-Mail [sales@theledstore.co](mailto:sales@theledstore.co)

**Tennis Court / Calculation Grid (PPA) / Value Chart (E, Perpendicular)**



Values in Lux, Scale 1 : 170

Position of surface in external scene:  
 Marked point: (20.486 m, 13.113 m, 0.000 m)



Grid: 13 x 5 Points

$E_{av}$  [lx]  
404

$E_{min}$  [lx]  
298

$E_{max}$  [lx]  
500

$u_0$   
0.74

$E_{min} / E_{max}$   
0.60